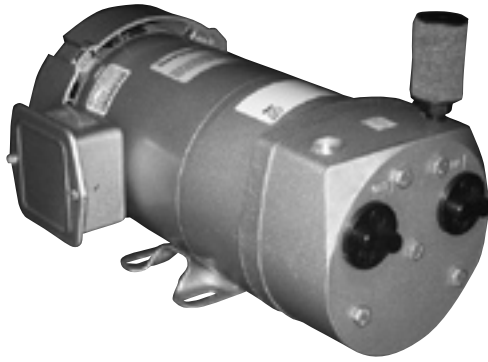
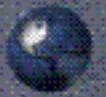




Motor Mounted Rotary Vane to 4.8 cfm



Oilless AT Series

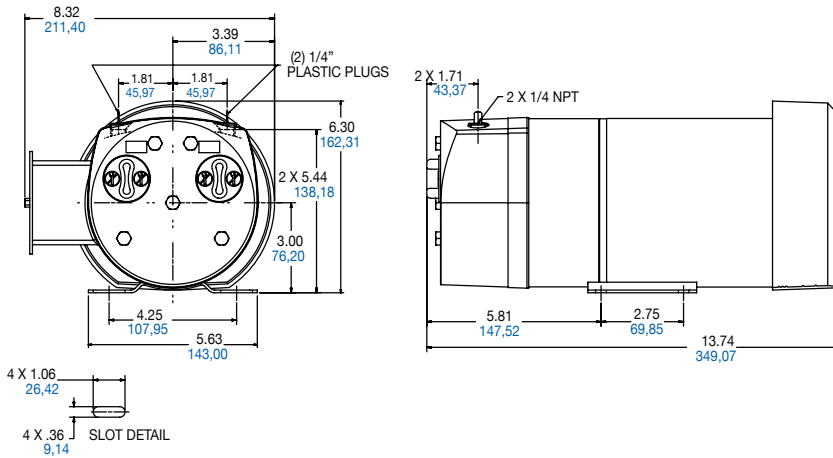
MODEL AT03 SERIES

10 PSI MAX. PRESSURE CONTINUOUS DUTY
3.7 CFM OPEN FLOW

MODEL AT05 SERIES

10 PSI MAX. PRESSURE CONTINUOUS DUTY
15 PSI MAX. PRESSURE INTERMITTENT DUTY
4.8 CFM OPEN FLOW

Product Dimensions (mm, inches) dimensions are for reference only



PRODUCT FEATURES

- Oilless operation
- Motor mounted
- New motor design
 - Totally Enclosed Fan Cooled (TEFC) motor offers better protection against environmental conditions.
- Improved mounting stability
- UL Recognized (pressure only)

INCLUDES

- Thermotector
- Internal muffler and filter
- External inlet filter

Product Specifications

Model Number	Voltage/ Frequency/Phase	RPM	HP	kW	Rated Amps	Net Wt. lbs.	kg
AT03-101-G215DX	115/60-1	1725	1/4	0,19	4.3	29.5	13,4
AT05-101-G215DX	115/60-1	1725	1/4	0,19	4.7	29.5	13,4

Product Performance (Metric, U.S.)

